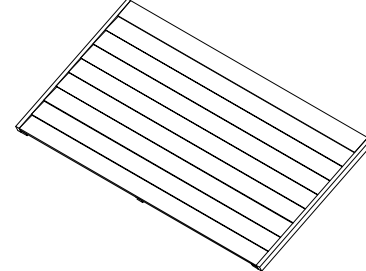
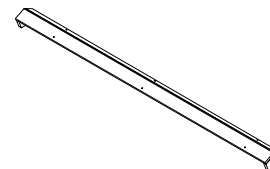
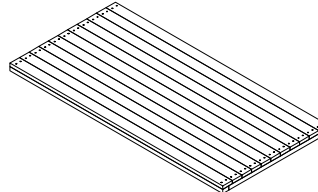
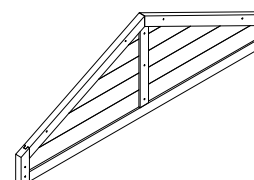
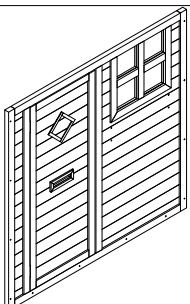
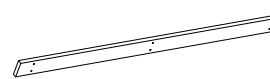
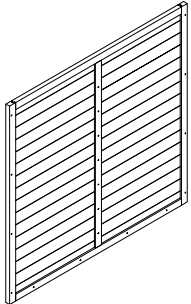
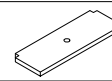
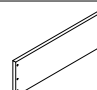
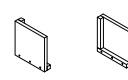
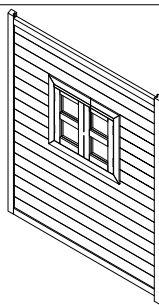
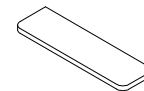

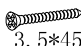
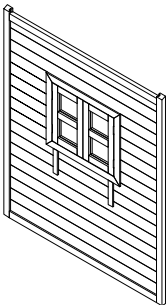
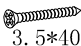





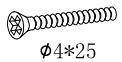
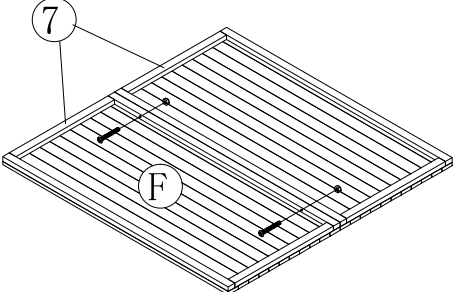
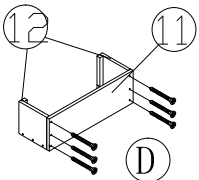
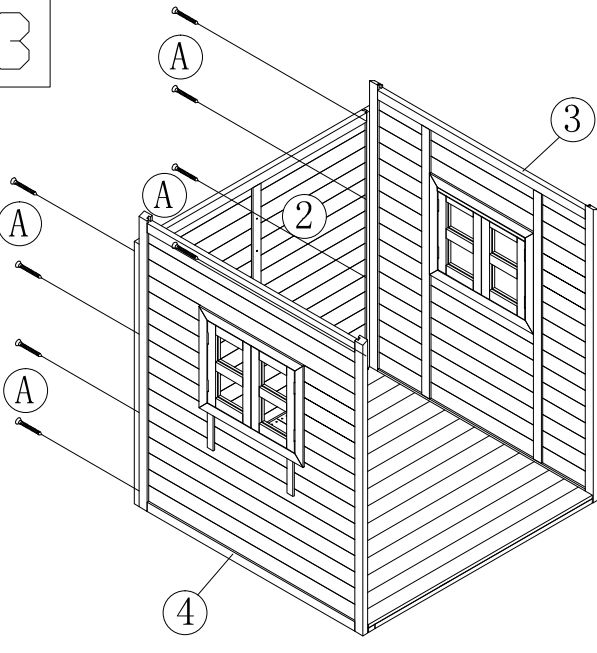
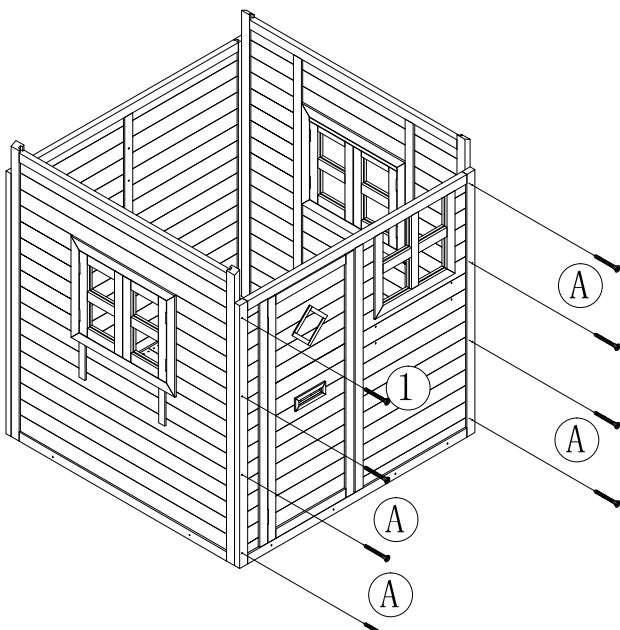
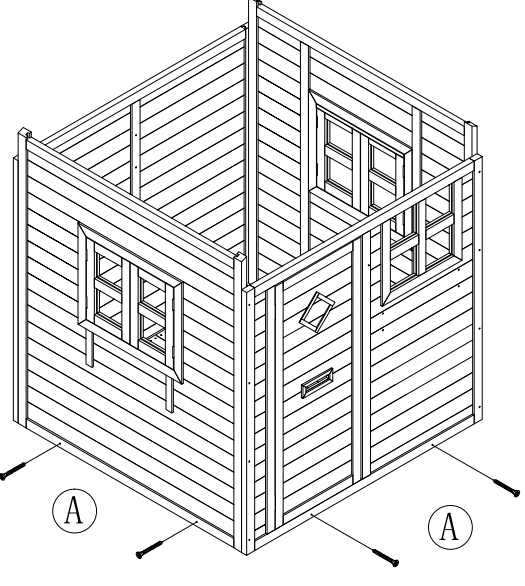
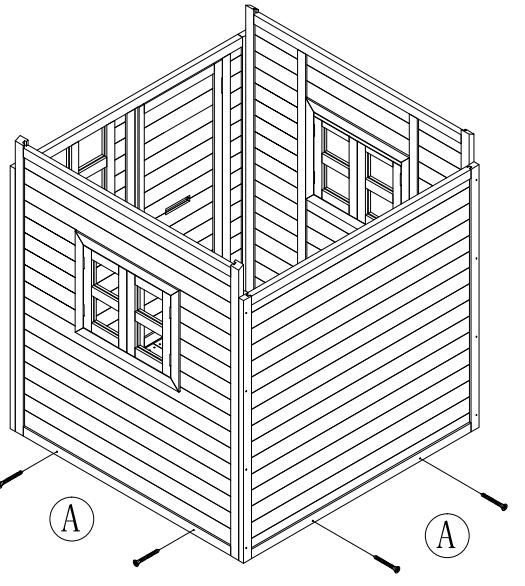
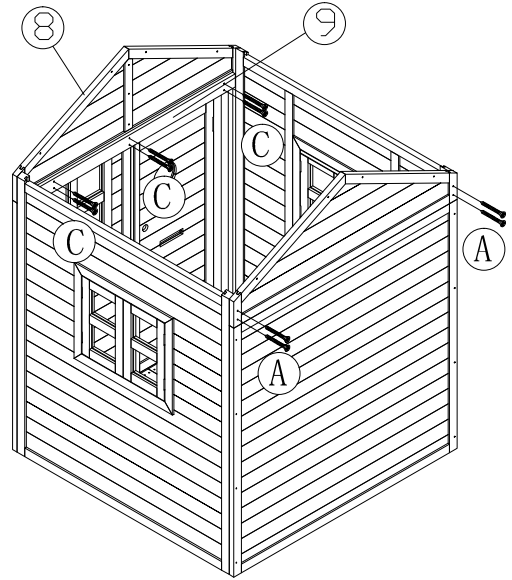
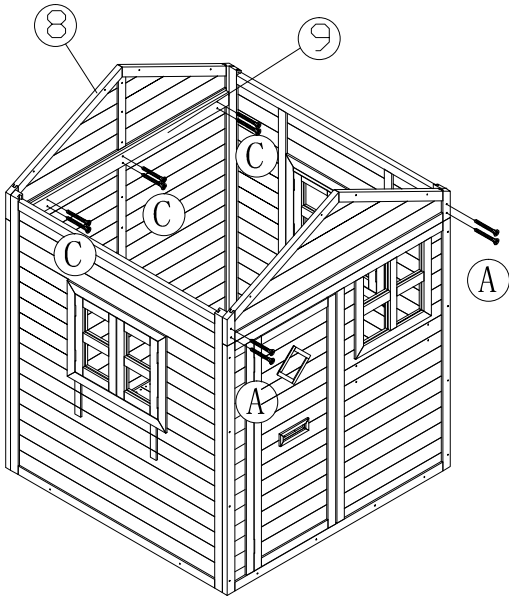
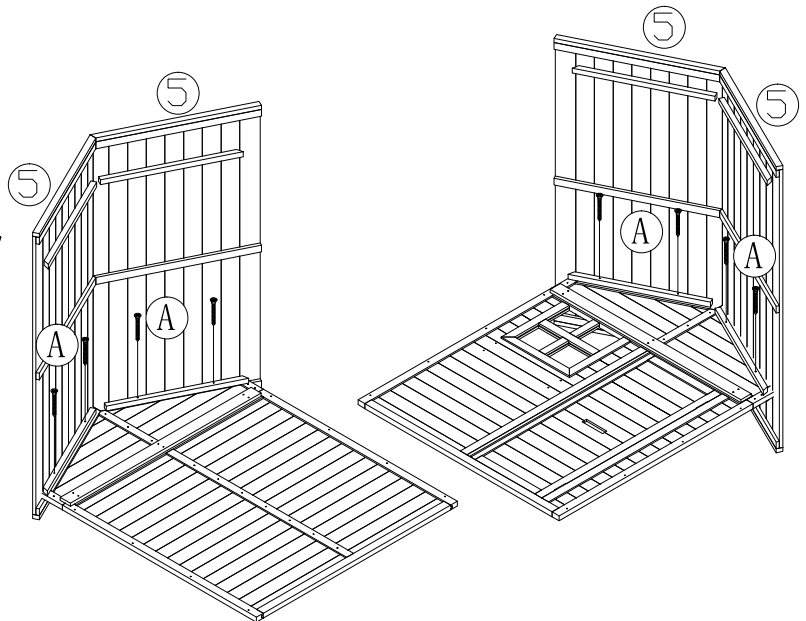
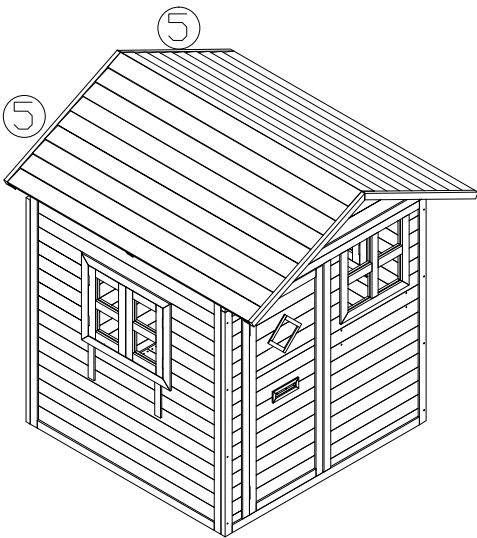
		5		2 ks	
		6		1 ks	
		7		2 ks	
		8		2 ks	
1		1 ks	9		2 ks
2		1 ks	10		1 ks
			11		1 ks
			12		2 ks
3		1 ks	13		1 ks
			14		2 ks
			A		40 ks
4		1 ks	B		4 ks
			C		16 ks
			D		12 ks
			E		4 ks

F	 $\phi 6*80$	2ks	H		4 ks
G	 $\phi 4*25$	4 ks			
1			2		
3					
4					

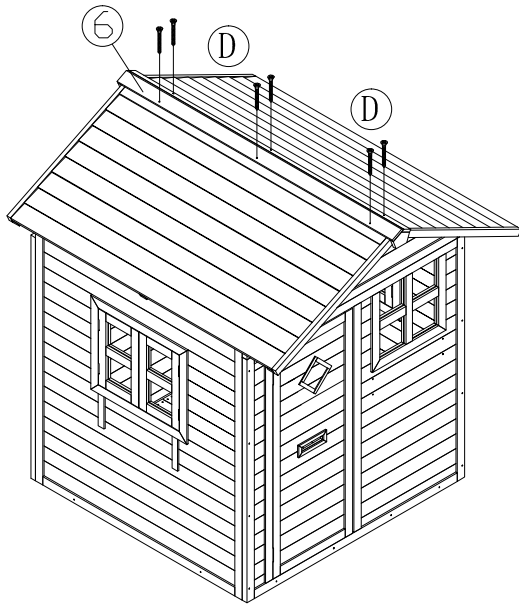
5



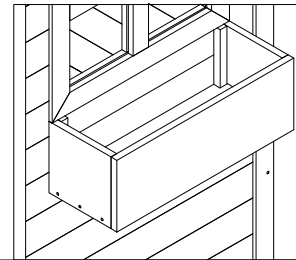
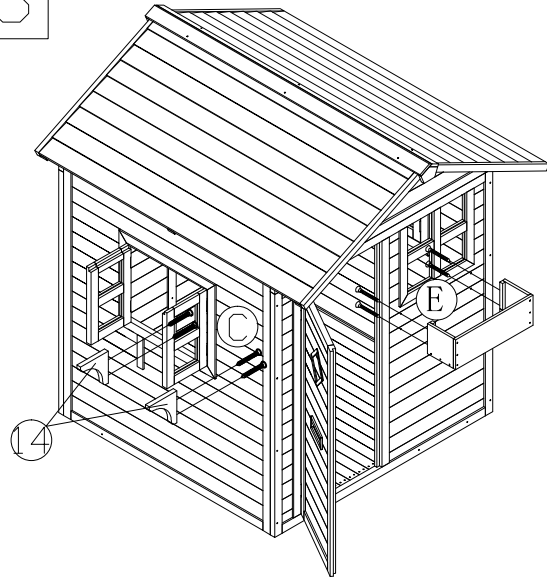
6



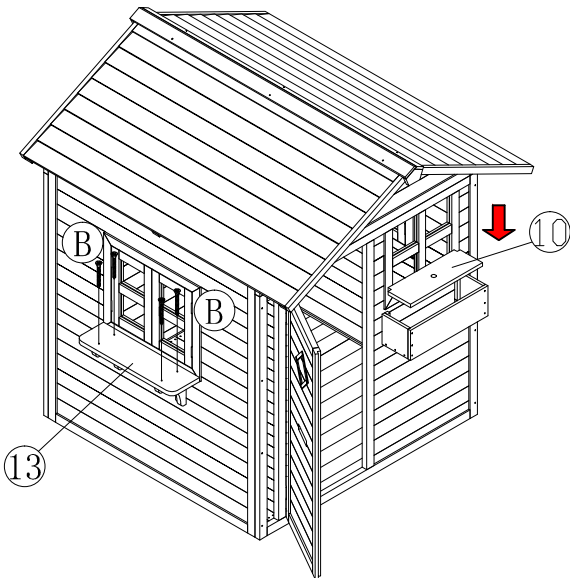
7



8



9



10

